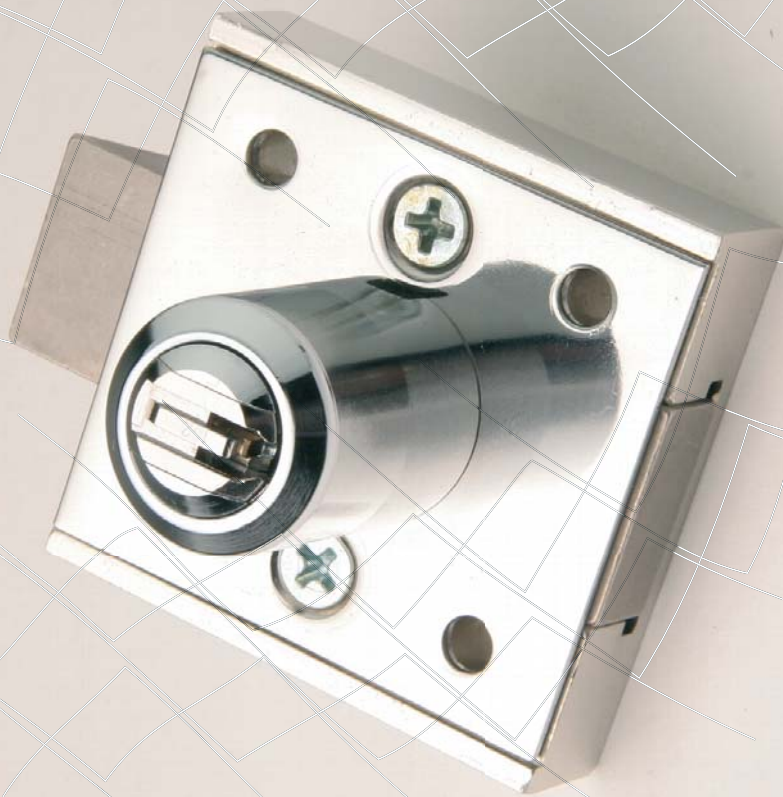


# High Security Cupboard & Drawer Lock



Manufactured by  
**Australian Lock Company Pty Ltd**

17 Doyle Ave, (PO Box 479) Unanderra NSW 2526, Australia.  
**Tel:** 61 2 4272 4922 **Fax:** 61 2 4272 4677

# The BiLock range of high security lock cylinders provide for applications that require optimum security with key restrictions and are fully compatible with each other.

## Cupboard/Drawer Lock

Dead Latching #7252

Deadlocked #7253

Deadlatched #7254

### Multi purpose surface mounted Cupboard/Drawer lock

The Cupboard/Drawer lock provides a high security, surface mounted lock with deadlocking functions. The deadlocking lock provides convenient access to high usage storage areas such as cash drawers and drug cabinets with the added security of key operated deadlocking.

A deadbolting facility adds to the versatility of this lock.

### Typical Applications

Cash drawers  
Safe treasuries  
Gaming machine bases

Switch panels  
Drug cabinets  
Key cabinets

Alarm panels  
Meter boxes  
Lockers

### Security Advantages

- Specialised key cutting is strictly limited to authorised BiLock dealers.
- The BiLock New Generation has strong legal protection with a standard patent granted covering the BiLock New Generation moveable element key through until 2019. This standard patent provides the highest level of legal protection available.
- Virtually impossible to pick, rap or read codes through the keyway, and highly resistant to key impressing.
- Twelve chisel shaped tumbler pins with false holes and two side bars provide security locking.
- Over 16.7 million real key combinations per key profile provide powerful master keying capability.
- Guaranteed quality – manufactured to exacting tolerances.
- Wide range of compatible cylinders available to suit most locking hardware.
- BiLock's 8,000 key head colour combinations simplifies key identification.

### Product Details

#### Materials

Lock Body: High strength Aluminium Alloy

Lock Cylinder: Only available in Chrome Plate and Polished Brass

Latch & Deadbolt: Brass – Nickel Plated

#### Finishes

Chrome Plate (CP) – Polished Brass (PB)

#### Cylinder Specifications

12 Pin dual side bar

Products are available in First Generation,

First Generation QCC, New Generation and

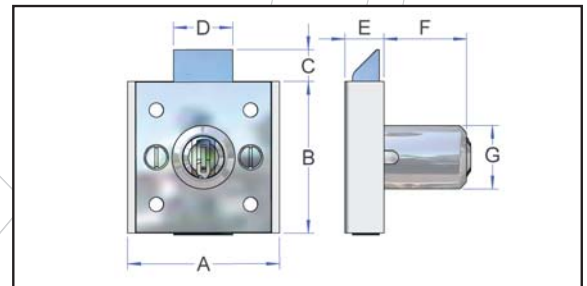
New Generation QCC. (#7254 not available in QCC)



Quality  
Endorsed  
Company  
ISO9001 LicQEC21804  
SAI Global



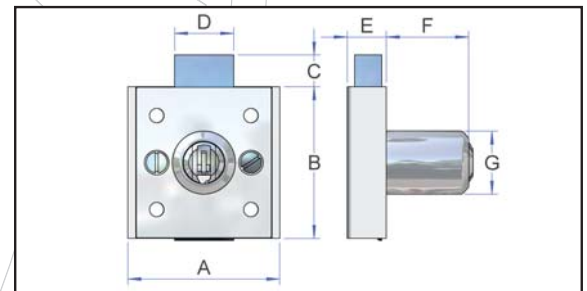
Proudly designed and manufactured in Australia



### Dead Latching #7252

- For attended use.
- Convenient key opening.
- Quick slam and smooth closing.
- Key Retained in Unlocked Position.

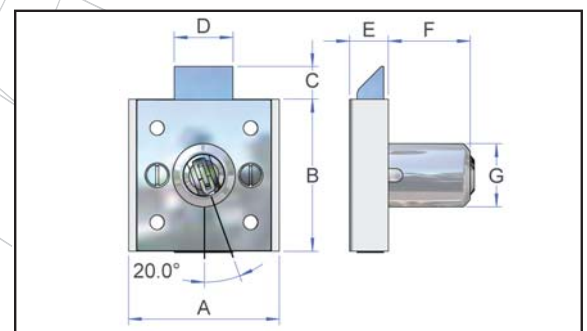
- Can be converted to a deadbolt function with key retained – simply reverse bolt and remove spring.



### Deadlocked #7253

- For attended use.
- Reverse the bolt in the lock body to achieve deadlock function.

- For added security, key can only be withdrawn in locked position.
- Non Key Retained.



### Deadlatched #7254

- For attended use.
- Turn key 20° to deadlatch lock.
- Withdraw key, lock can't be manipulated.
- Withdraw key-latch tongue cannot be depressed or spring is overridden.

- Latching function only can be deadlatched by withdrawing the key in one o'clock position.
- Product not available in QCC function.

	A	B	C	D	E	F	G
<b>Dead Latching</b>	52.40	52.40	9.50	20.40	12.20	28.80	ø21.80
<b>DeadLocked</b>	52.40	52.40	9.50	20.40	12.20	28.80	ø21.80
<b>Deadlatched</b>	52.40	52.40	11.00	20.40	12.20	28.80	ø21.80